

RIBL1C-DC

Enclosed Relay 10 Amp SPDT with 10-30 Vdc Limited Inrush Coil



Functional Devices, Inc. A600C 2005



Contact Ratings:

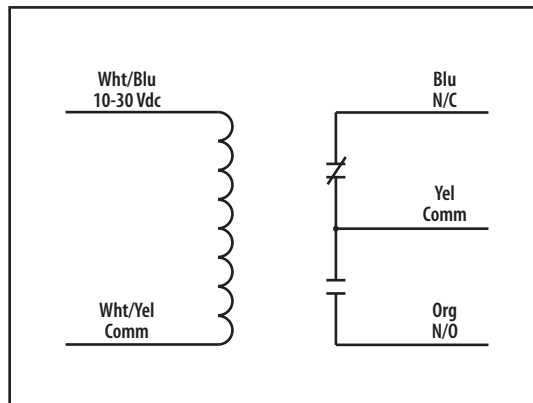
10 Amp Resistive @ 120-277 Vac
 10 Amp Resistive @ 28 Vdc
 480 VA Pilot Duty @ 240-277 Vac
 480 VA Ballast @ 277 Vac
 600 Watt Tungsten @ 120 Vac N/O
 240 Watt Tungsten @ 120 Vac N/C
 1/3 HP for N/O @ 120-240 Vac
 1/6 HP for N/C @ 120-240 Vac
 1/4 HP for N/O @ 277 Vac
 1/8 HP for N/C @ 277 Vac

Coil Current:

12 mA @ 10 Vdc
 14 mA @ 12 Vdc
 16 mA @ 24 Vdc
 18 mA @ 30 Vdc

Coil Voltage Input:

10-30 Vdc
 Drop Out = 2.8 Vdc
 Pull In = 10 Vdc



Relays & Contact Type: One (1) SPDT Continuous Duty Coil
Expected Relay Life: 10 million cycles minimum mechanical
Operating Temperature: -30 to 140° F
Operate Time: 20mS
Relay Status: LED On = Activated
Dimensions: 1.70" x 2.80" x 1.50" with .50" NPT nipple
Wires: 16', 600V Rated
Approvals: UL Listed, UL916, UL864, C-UL Canada
 California State Fire Marshal
Housing Rating: Plenum, NEMA 1
Gold Flash: Yes
Override Switch: No

Notes:

- » Order in NEMA 4 enclosure by adding "-N4" to end of model number
- » Order in red enclosure by adding "-RD" to end of model number

Notes: