

Space Temperature Sensor



Features and Highlights

- Surface fitting or fits on standard wall plate
- Optional low profile adjustment knob (1k to 11k ohm)
- Optional override button and status LEDs
- Optional fan control switch (off, low, medium, high, and automatic)



The Novar space temperature sensor is a wall-mounted temperature sensor in a low-profile enclosure designed for good thermal response.

The temperature sensor includes several optional features: low-profile adjustment knob for setpoint adjustment, a pushbutton for occupancy override, two LEDs to indicate occupancy status, and a five-way switch for fan control. These options are available in various combinations.

NOVAR CONTROLS

6670 185th Avenue NE Redmond, WA 98052

Telephone: (425) 869-8400

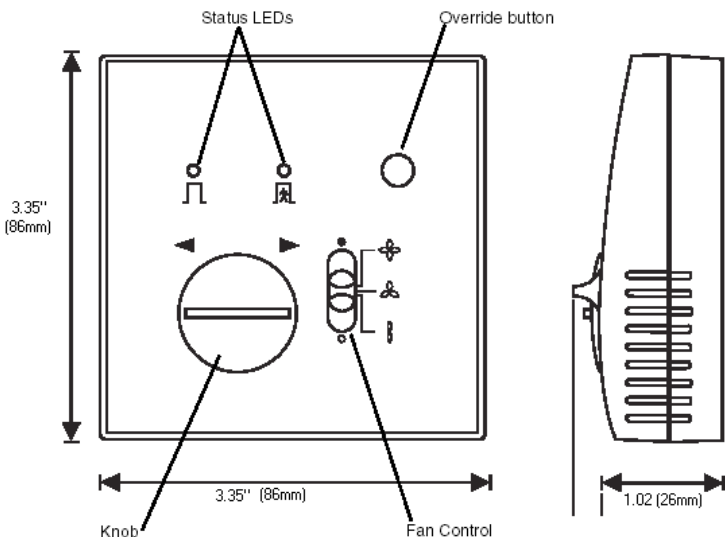
E-mail: ntcinfo@novarcontrols.com

Fax: (425) 869-8445

Web site: ntc.novarcontrols.com

Technical Data

- **Dimensions** 3.35" (86mm) x 3.35" (86mm) x 1.02" (26mm)
- **Connections** 1-part screw terminals for 14-20 AWG cross-section area (0.5 to 2.5mm²) cable.
- **Environmental** 14 to 122°F (-10 to 50°C). 0 to 90% RH, non-condensing.
- **Ratings** Listed Underwriters Laboratory for accessory to Enclosed Energy Management Equipment under the UL Standard for Safety 916. U.S. certification.



Ordering Information

Item number	Description
882000540	Space temperature sensor
882000550	Space temperature sensor (box of 20)
882000560	Space temperature sensor with knob
882000570	Space temperature sensor with knob (box of 20)
882000580	Space temperature sensor with knob and override pushbutton
882000590	Space temperature sensor with override pushbutton and status LED
882000600	Space temperature sensor with knob, override pushbutton, and status LED
882000610	Space temperature sensor with override pushbutton, fan, and status LED
882000620	Space temperature sensor with knob, override pushbutton, fan, and status LED
882000630	Space temperature sensor with knob and volt free contact pushbutton

NOVAR CONTROLS

6670 185th Avenue NE Redmond, WA 98052

Telephone: (425) 869-8400

E-mail: ntcinfo@novarcontrols.com

Fax: (425) 869-8445

Web site: ntc.novarcontrols.com