

IQView Touch Screen Display



Features and Highlights

- Color or monochrome touch screen interface for navigation and input
- Self-configuring upon connection to the network
- Configurable user interface options
- Ethernet, current loop Lan, RS232 connection options
- Surface or Rear panel mount versions
- Password protection
- User configuration data is stored in non-volatile memory (Flash)
- Two-part connectors to facilitate installation



Novar's IQView is a wall-mounted touch screen display that provides full access to any BAS data in IQ controllers without requiring a personal computer. Using only the IQView touchscreen, you can view scheduling strategies and alarms or clear alarms.

The ability to self-learn your system with lightning speed makes the unit fully functional in minutes and with minimal set up.

Connect to your IQ LAN communication bus if you don't have Ethernet or need the IQView to act as standalone unit.

You can set up users and passwords that are completely independent of other systems and establish varying levels of user access to restrict what users see and do.

The Windows CE-based touchscreen offers the power and flexibility of a standard, familiar operating system without the hassles of a computer.

NOVAR CONTROLS

6670 185th Avenue NE Redmond, WA 98052

Telephone: (425) 869-8400

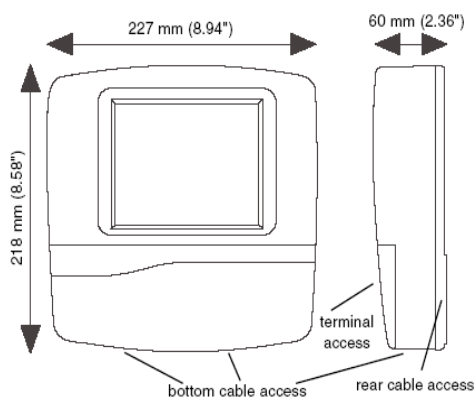
E-mail: ntcinfo@novarcontrols.com

Fax: (425) 869-8445

Web site: ntc.novarcontrols.com

Technical Data

- **Supply** 28 to 36 Vdc or 24 Vac +/- 10%, 50 to 60 Hz.
- **Power** 24 VA maximum, 13 VA typical. The IQView consumes 13 VA, but needs 24 VA for startup.
- **Fusing** Input supply is protected by a 6.3A fast blow fuse.
- **Battery** No battery required. User configuration data is stored in non-volatile memory (Flash). A supercap is used to maintain the real-time clock (time and date); in the event of a power failure, this typically supports the clock for 24 hours.
- **Memory** 16 Mbyte Flash, 32 Mbyte SDRAM.
- **Display** 256-color LCD or monochrome display (320 x 240 pixels) with touch screen and digital contrast.
- **Backlight** Electroluminescent (CCFL) with autodimming feature. Life of 50 Khrs at 68 °F (20 °C).
- **Connections** The Monochrome version has a black and white screen with RS232, and the standard version has a color screen with RS232, Ethernet, and IQ System current loop Lan.
- **SD Card** SD card socket uses an SD/MMC card (Secure digital/Multimedia card) to backup and restore user configuration data.
- **Controller Dimensions** 8.94" (227mm) x 8.58" (218mm) x 2.36" (60mm).
- **Environmental** 32–113°F (0–45°C). 0–80% RH, non-condensing.
- **Ratings** Listed Underwriters Laboratory for Open Energy Management Equipment under the UL Standard for Safety 916. U.S. certification.



Ordering Information

Item Number	Description
882001140	IQVIEW Standard for Surface Mount
882001150	IQVIEW Standard for Rear Panel Mount
882001160	IQVIEW Monochrome for Surface Mount
882001170	IQVIEW Monochrome for Rear Panel Mount

NOVAR CONTROLS

6670 185th Avenue NE Redmond, WA 98052

Telephone: (425) 869-8400

E-mail: ntcinfo@novarcontrols.com

Fax: (425) 869-8445

Web site: ntc.novarcontrols.com